

**SKID STEER LOADERS**  
**SR130 | SR150 | SR175 | SV185 | SR200**  
**SR220 | SV250 | SR250 | SV300**

**CASE**  
CONSTRUCTION



**POWER OUTSIDE,  
COMFORT INSIDE**

[www.casece.com](http://www.casece.com)  
**EXPERTS FOR THE REAL WORLD**  
**SINCE 1842**

# MAIN REASONS TO CHOOSE THE SKID STEER LOADERS



## COMFORTABLE AND SAFE CAB

Wide cab, flat floor, convenient lap bar, optimized A/C air flow. ROPS, FOPS certified. Suspension and heated seats.



## HIGH VISIBILITY

Unique side Lighting. Large side windows for an excellent visibility. Better sight lines to the tires, bucket edge, curb lines and even to the rear when backing up.



## RADIAL AND VERTICAL BOOM

Radial for digging and pushing. Vertical for loading and carrying.



## HIGH ROC

With additional counterweights



## HIGH VERSATILITY

Wide range of attachments. Different auxiliary hydraulic solutions to feed them.



## FAST ATTACHMENT CHANGE OVER

Mechanic or hydraulic quick coupler. Connect Under Pressure (CUP) system to plug hydraulic hoses with no wrenches.





## **PRO COVER PROTECTION PLAN 3 YEARS / 3,000 HOURS**

ProCover is designed to help keep your equipment working well beyond the manufacturer's base warranty period while taking away the concerns of the cost and inconvenience of mechanical failure.



## **EASY ACCESS**

Wider cab entrance.  
Lower threshold.  
Longer and ergonomic handles.



## **VERSATILE CONTROLS**

Mechanical or EH customizable controls.  
Speed and sensitivity can easily be adjusted.  
ISO-H switchable controls.  
Ride Control for a greater operator comfort.



## **TOP RANKING BREAKOUT FORCE**

Aggressive cylinder mounting for superior digging efficiency.



## **OUTSTANDING STABILITY**

Longer wheelbase.  
Optimized weight distribution.



# THE FEATURES



## HIGH ROC with bolt-on counterweights

Simply bolt on additional counterweights to the rear sides of the machine. Increase ROC by adding counterweights to move more material, more quickly Decrease ROC (operating without counterweights to keep fuel costs down and decrease ground disturbance.



## RADIAL AND VERTICAL BOOM Extended line up to meet any customer need

CASE has revised its skid steer loader line up to grant performance and productivity to an ever wider range of customers. The revised CASE SSL range includes six radial lift skid steers (SR models) and three vertical lift skid steers (SV models).



## COMFORTABLE AND SAFE CAB

### Leading operator comfort

The wide door, repositioned grab handles and a lower threshold provide easy access to the cab. All models have suspension seats and optional air suspension heated seats for the ultimate in comfort. If specified with full cab glazing and door, the cab is completely sealed to reduce the amount of noise and dust. All models benefit from a cab with up to 25% more internal width, providing greatly improved operator comfort. Our cab - the widest in the industry - provides plenty of room for comfortable operation, with greater headroom and legroom, more space between the control levers and easy access to the seat.



## HIGH VISIBILITY Wider glazed surface for safer operations

The large glazed surface with ultra-narrow wire side screens, the lowered threshold and thinner front pillars provide the best visibility in the market (ROPS / FOPS cab).



## PRO COVER PROTECTION PLAN 3 YEARS / 3,000 HOURS When the unexpected occurs, you need to know your equipment is protected.

We understand the importance of your machinery being in good working order and additionally to the STANDARD PROTECTION PLAN we offer you to purchase supplementary years/hours to meet your needs.



## EASY ACCESS Safety first

Low threshold, together with convenient grab handles make accessing the cab easy and safe.



## VERSATILE CONTROLS

### Tailor-made performance

The upgraded Case skids now offer EZ-EH (electrohydraulic) controls and software. Operators can quickly change between nine presets for speed and control customization.

## FREE TO CHOOSE THE MOST SUITABLE CONTROL

### Mechanical or Electro Hydraulic controls

All controls are within easy reach and you can choose among mechanical hand drive levers or mechanical foot drive pedals, or electro-hydraulic controls.

### Proportional auxiliary hydraulics

Standard Proportional control of Auxiliary Hydraulics with detent for smooth and precise attachment control. legroom, more space between the control levers and easy access to the seat.



## OUTSTANDING STABILITY

### with Case power stance chassis

Our power stance chassis rides on a 21% longer wheelbase, delivering greater stability and comfort and allowing increased lifting capabilities, regardless of jobsite conditions.



## TOP RANKING BREAKOUT FORCE

### Case cylinder and chassis design provides maximised pushing power

The cylinder geometry optimises the skid steer push and pull power, while the bucket support bearing directly on the chassis of the machine further adds to its pushing power.



## FAST ATTACHMENT CHANGE OVER

### Hydraulic Coupler Option

An optional hydraulic attachment coupler increases both operator comfort and uptime on the job site since attachments can be exchanged quickly and safely without leaving the cab.



## HIGH VERSATILITY

### Hydraulics simplified. Versatility maximised

Connect Under Pressure (CUP) system to plug hydraulic hoses with no wrenches. Three different Auxiliary Hydraulics Packages offered: Standard Flow Package, High Flow Package and Enhanced High Flow Package.





**SR130**

**CASE**

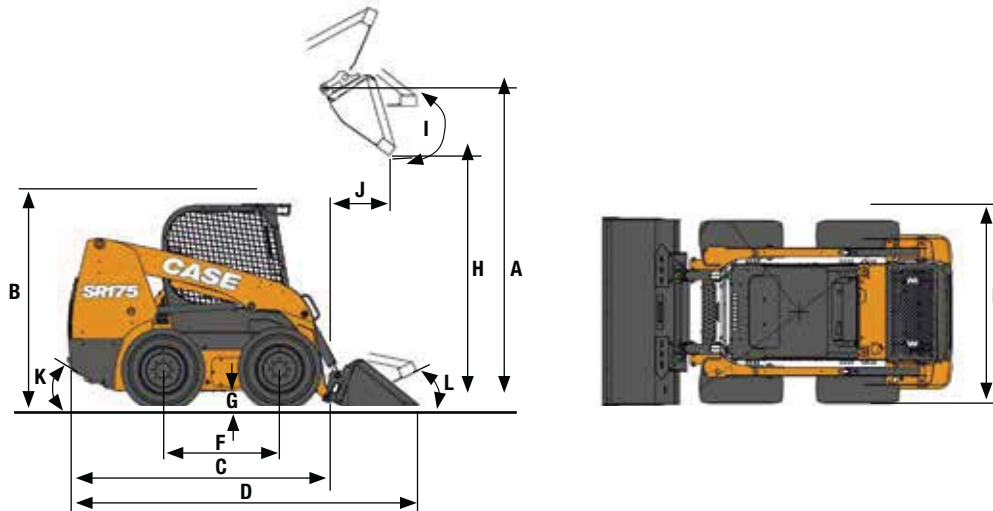
**CASE**





# SR130/SR150/SR175/SV185/SR200

## SKID STEER LOADERS



### GENERAL DIMENSIONS

	SR130	SR150	SR175	SV185	SR200
A - Height to Bucket Hinge Pin	2.845 mm	2.845 mm	3.099 mm	3.048 mm	3.124 mm
B - Height to Top of ROPS	1.919 mm	1.919 mm	1.974 mm	1.974 mm	1.998 mm
C - Length without attachment	2.435 mm	2.435 mm	2.685 mm	2.710 mm	2.669 mm
D - Length with bucket *	3.028 mm	3.028 mm	3.305 mm	3.345 mm	3.292 mm
E - Overall Width	1.518 mm	1.518 mm	1.678 mm	1.678 mm	1.755 mm
F - Wheelbase	941 mm	941 mm	1.128 mm	1.128 mm	1.128 mm
G - Ground Clearance	178 mm	178 mm	178 mm	178 mm	203 mm
H - Dump height *	2.246 mm	2.246 mm	2.470 mm	2.377 mm	2.495 mm
I - Dump Angle	40°	40°	40°	52°	40°
J - Dump Reach @ Max Height	469 mm	469 mm	542 mm	783 mm	517 mm
K - Angle of Departure	22°	22°	23°	23°	25°
L - Rollback Angle (Bucket on Ground)	26°	26°	32°	35°	31°

\* With D&F Bucket

### SPECIFICATIONS

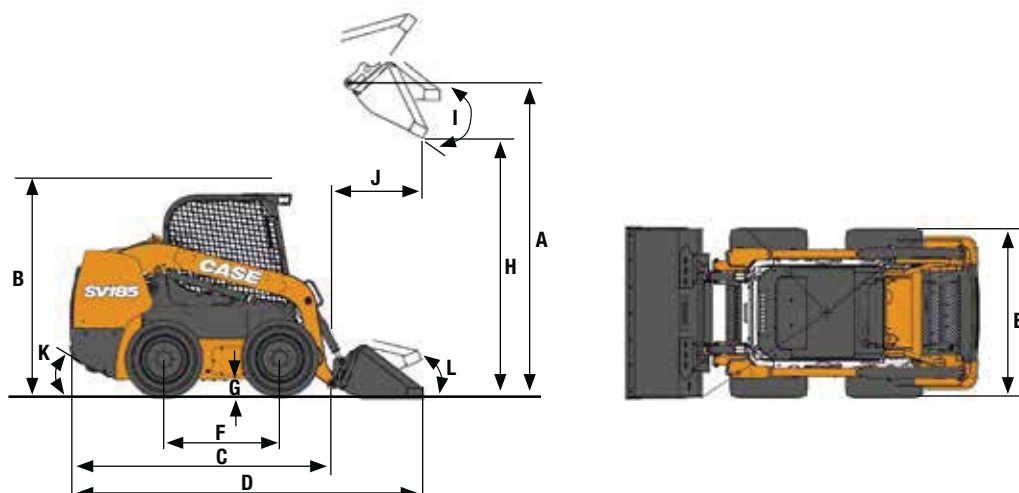
	SR130	SR150	SR175	SV185	SR200
<b>PERFORMANCE SPECS</b>					
Rated Operating Capacity 50%	590 kg	680 kg	790 kg	840 kg	905 kg
Tipping Load	1.179 kg	1.361 kg	1.588 kg	1.678 kg	1.814 kg
Lift Cylinder Breakout Force*	12,7 kN	14 kN	17 kN	15,3 kN	20,3 kN
Bucket Cylinder Breakout Force*	18,5 kN	18,6 kN	32,3 kN	24,7 kN	32,3 kN
<b>ENGINE</b>					
Engine Brand	ISM	ISM	ISM	ISM	FPT
Displacement	2,2 l	2,2 l	2,2 l	2,2 l	3,2 l
Horsepower	49 hp @ 2.800 rpm	60 hp @ 2.800 rpm	60 hp @ 2.800 rpm	60 hp @ 2.800 rpm	74 hp @ 2.500rpm
Peak torque	143 Nm @1.800 rpm	171 Nm @ 1.800 rpm	171 Nm @ 1.800 rpm	171 Nm @ 1.800 rpm	275 Nm @ 1.400 rpm
<b>TRAVEL SPEED</b>					
Low Range	12,7 km/h	12,7 km/h	12,7 km/h	12,7 km/h	10,9 km/h
High Range (Optional)	NA	NA	18 km/h	18 km/h	15,9 km/h
<b>HYDRAULIC SYSTEM</b>					
Pump flow	59 LPM	59 LPM	72 LPM	72 LPM	85 LPM
Optional high flow	N/A	N/A	109 LPM	109 LPM	117 LPM
<b>WEIGHTS</b>					
Operating Weight**	2.300 kg	2.430 kg	2.842 kg	2.980 kg	3.160 kg
Shipping Weight	2.160 kg	2.300 kg	2.705 kg	2.840 kg	3.025 kg
<b>SERVICE CAPACITY</b>					
Fuel Tank	60,5 l	60,5 l	75,5 l	75,5 l	75,5 l

\* Breakout forces estimated considering both tip and hydraulic limits

\*\* included bucket, operator 75 kg, full fuel tank



# SR220/SV250/SR250/SV300 SKID STEER LOADERS



## GENERAL DIMENSIONS

	SR220	SV250	SR250	SV300
A - Height to Bucket Hinge Pin	3.175 mm	3.302 mm	3.175 mm	3.302 mm
B - Height to Top of ROPS	2.002 mm	2.002 mm	2.002 mm	2.002 mm
C - Length without attachment	2.981 mm	2.990 mm	2.981 mm	2.990 mm
D - Length with bucket *	3.611 mm	3.604 mm	3.611 mm	3.604 mm
E - Overall Width	1.768 mm	1.768 mm	1.768 mm	1.768 mm
F - Wheelbase	1.322 mm	1.322 mm	1.322 mm	1.322 mm
G - Ground Clearance	203 mm	203 mm	203 mm	203 mm
H - Dump height *	2.558 mm	2.615 mm	2.558 mm	2.615 mm
I - Dump Angle	38°	54°	38°	54°
J - Dump Reach @ Max Height	495 mm	744 mm	575 mm	744 mm
K - Angle of Departure	24°	24°	24°	24°
L - Rollback Angle (Bucket on Ground)	31°	35°	31°	35°

\* With D&F Bucket

## SPECIFICATIONS

	SR220	SV250	SR250	SV300
<b>PERFORMANCE SPECS</b>				
Rated Operating Capacity 50%	1.000 kg	1.135 kg	1.135 kg	1.360 kg
Tipping Load	1.996 kg	2.268 kg	2.268 kg	2.722 kg
Lift Cylinder Breakout Force*	24,4 kN	21,4 kN	25,3 kN	25,3 kN
Bucket Cylinder Breakout Force*	38,7 kN	33,7 kN	33,3 kN	33,7 kN
<b>ENGINE</b>				
Engine Brand	FPT	FPT	FPT	FPT
Displacement	3,2 l	3,2 l	3,2 l	3,2 l
Horsepower	82 hp @ 2.500 rpm	82 hp @ 2.500 rpm	90 hp @ 2.500 rpm	90 hp @ 2.500 rpm
Peak torque	305 Nm @ 1.400 rpm	305 Nm @ 1.400 rpm	340 Nm @ 1.400 rpm	340 Nm @ 1.400 rpm
<b>TRAVEL SPEED</b>				
Low Range	11,3 km/h	11,3 km/h	11,3 km/h	12,4 km/h
High Range (Optional)	16,9 km/h	16,9 km/h	16,9 km/h	18,5 km/h
<b>HYDRAULIC SYSTEM</b>				
Pump flow	85 LPM	85 LPM	85 LPM	85 LPM
Optional high flow	131 LPM	131 LPM	131 LPM	131 LPM
<b>WEIGHTS</b>				
Operating Weight**	3.350 kg	3.630 kg	3.490 kg	3.765 kg
Shipping Weight	3.200 kg	3.475 kg	3.340 kg	3.610 kg
<b>SERVICE CAPACITY</b>				
Fuel Tank	96,5 l	96,5 l	96,5 l	96,5 l

\* Breakout forces estimated considering both tip and hydraulic limits

\*\* included bucket, operator 75 kg, full fuel tank









**CASE**

**SR200**





## **PARTS AND SERVICE**

Wide network of customer support across the world.

No matter where you work, we're here to support and protect your investment and exceed your expectations. You can count on Case and your Case dealer for full-service solutions-productive equipment, expert advice, flexible financing, genuine Case parts and fast service. We're here to provide you with the ultimate ownership experience. To locate a Case dealer or learn more about Case equipment or customer service, go to [www.casece.com](http://www.casece.com)

**NOTE:** CASE provides specific outfits for various countries and many optional fittings (OPT). The illustrations on this or other leaflets may relate to standard or optional fittings. Please consult your CASE dealer for any information in this regard and any possible updating on components. CNH Industrial reserves the right to modify machine specifications without incurring any obligation relating to such changes.

*creative-farm.it 02/2018*

